

# PS2-4000 HR-07HL oil

## Solar Submersible Pump System for 4" wells

### System Overview

Head	max. 1,600 ft
Flow rate	max. 11 bbl/h

### Technical Data

#### Controller PS2-4000

- Solar direct or via PowerPack
- Control inputs for dry running protection, remote control etc.
- Controlling and monitoring
- Programmable pump cycles and flow rates
- Integrated data logger with Bluetooth

Power	max. 4.0 kW
Input voltage	max. 375 V
Optimum Vmp**	> 238 V
Motor current	max. 14 A
Efficiency	max. 98 %
Ambient temp.	-40...122 °F
Enclosure class	IP68

#### Motor ECDRIVE 4000-HR

- Maintenance-free brushless DC motor
- Water filled
- Premium materials, stainless steel: AISI 304/316
- No electronics in the motor

Rated power	5.4 HP
Efficiency	max. 92 %
Motor speed	900...3,900 rpm
Insulation class	F
Enclosure class	IP68
Submersion	max. 492 ft

#### Pump End PE HR-07HL oil\*\*\*

- Stilling tube for solid reduction
- Premium materials, stainless steel: AISI 304/316
- Hard chrome plated rotor
- Helical rotor pump



#### Pump Unit PU4000 HR-07HL oil (Motor, Pump End)

Borehole diameter	min. 4,0 in
Water temperature	max. 122 °F

### Standards



2006/42/EC, 2004/108/EC, 2006/95/EC

IEC/EN 61702:1995

The logos shown reflect the approvals that have been granted for this product family. Products are ordered and supplied with the approvals specific to the market requirements.

\*\*Vmp: MPP-voltage under Standard Test Conditions (STC): 1000 W/m<sup>2</sup> solar irradiance, 25 °C cell temperature

\*\*\*Specify temperature range on order

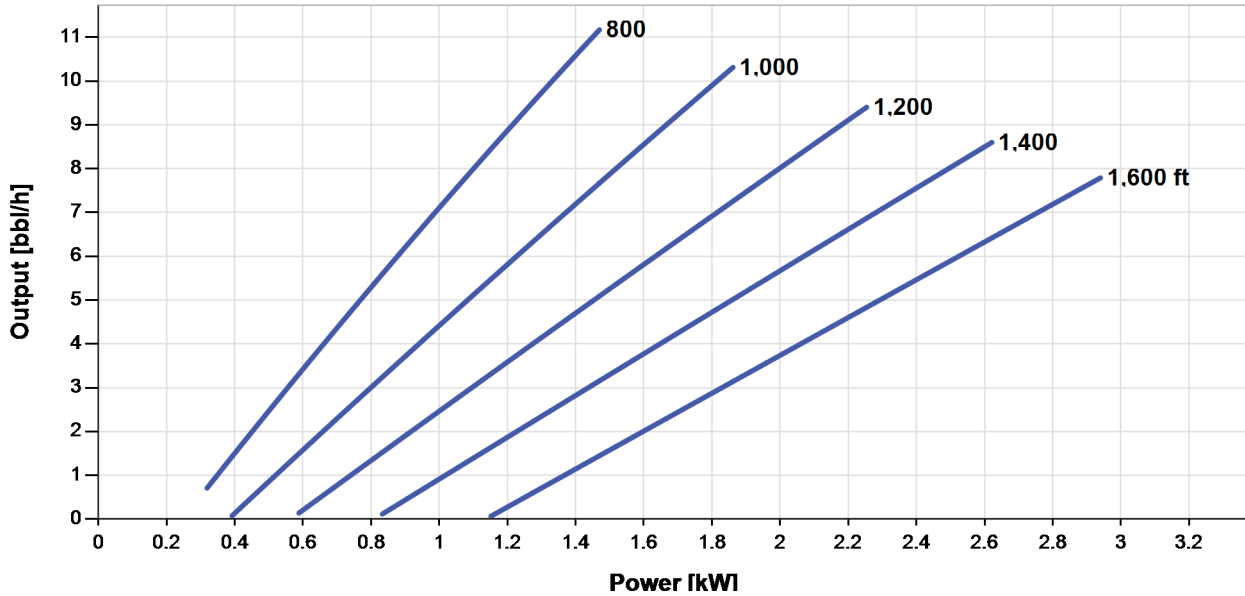


## PS2-4000 HR-07HL oil

### Solar Submersible Pump System for 4" wells

#### Pump Chart

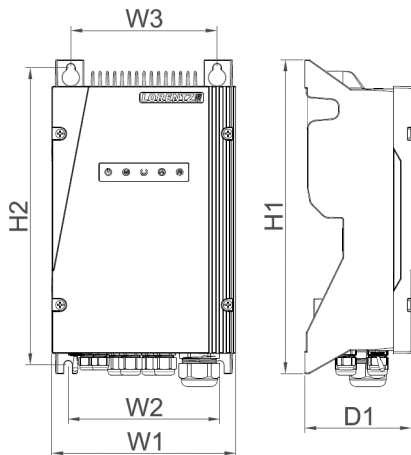
Vmp\* > 238 V



#### Dimensions and Weights

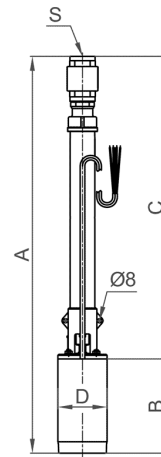
##### Controller

H1 = 14 in  
 H2 = 13 in  
 W1 = 8.1 in  
 W2 = 6.7 in  
 W3 = 6.5 in  
 D1 = 4.9 in



##### Pump Unit

A = 9.6 in  
 B = 9.6 in  
 D = 3.8 in



	Net weight
Controller	13 lbs
Pump Unit	22 lbs
Motor	22 lbs
Pump End	

\*Vmp: MPP-voltage under Standard Test Conditions (STC): 1000 W/m<sup>2</sup> solar irradiance, 25 °C cell temperature

