

PS2-4000 HR-03HHL oil

Solar Submersible Pump System for 4" wells

System Overview

Head	max. 2,300 ft
Flow rate	max. 2.1 bbl/h

Technical Data

Controller PS2-4000

- Solar direct or via PowerPack
- Control inputs for dry running protection, remote control etc.
- Controlling and monitoring
- Programmable pump cycles and flow rates
- Integrated data logger with Bluetooth

Power	max. 4.0 kW
Input voltage	max. 375 V
Optimum Vmp**	> 238 V
Motor current	max. 14 A
Efficiency	max. 98 %
Ambient temp.	-40...122 °F
Enclosure class	IP68

Motor ECDRIVE 1200A-HR / ECDRIVE 1800A-HR

- Maintenance-free brushless DC motor
- Water filled
- Premium materials, stainless steel: AISI 304/316
- No electronics in the motor

Rated power	1.7 kW
Efficiency	max. 92 %
Motor speed	900...3,300 rpm
Insulation class	F
Enclosure class	IP68
Submersion	max. 1,640 ft

Pump End PE HR-03HHL oil***

- Stilling tube for solid reduction
- Premium materials, stainless steel: AISI 304/316
- Hard chrome plated rotor
- Helical rotor pump



Pump Unit PU4000 HR-03HHL oil (Motor, Pump End)

Borehole diameter	min. 4,0 in
Water temperature	max. 122 °F

Standards



2006/42/EC, 2004/108/EC, 2006/95/EC

IEC/EN 61702:1995

The logos shown reflect the approvals that have been granted for this product family. Products are ordered and supplied with the approvals specific to the market requirements.

**Vmp: MPP-voltage under Standard Test Conditions (STC): 1000 W/m² solar irradiance, 25 °C cell temperature

***Specify temperature range on order

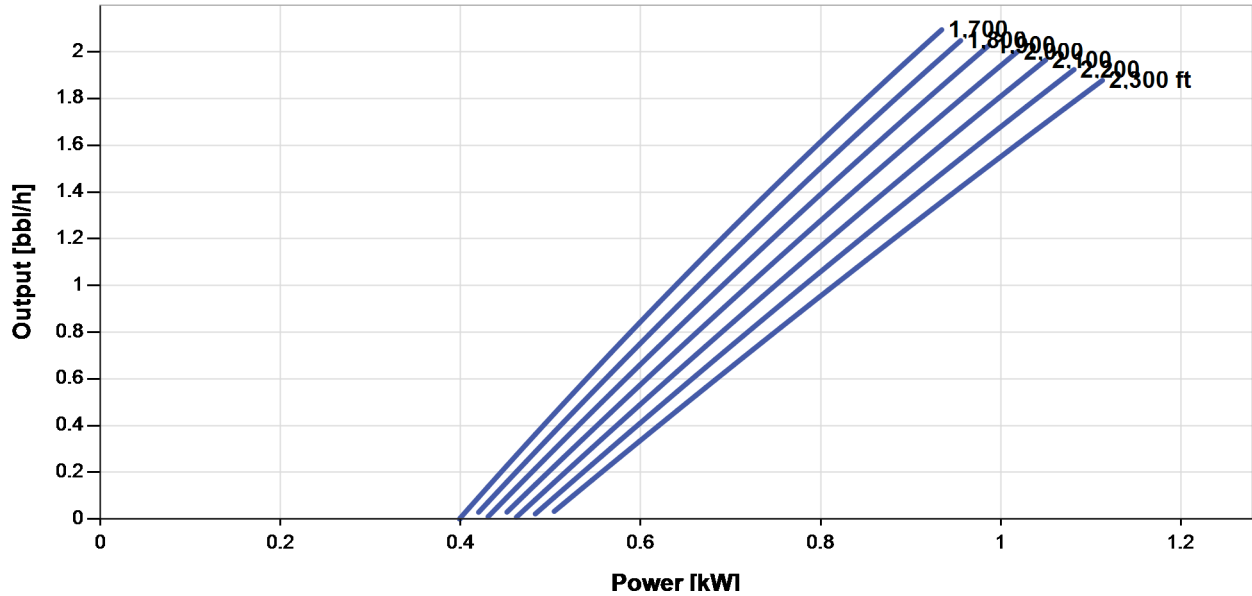


PS2-4000 HR-03HHL oil

Solar Submersible Pump System for 4" wells

Pump Chart

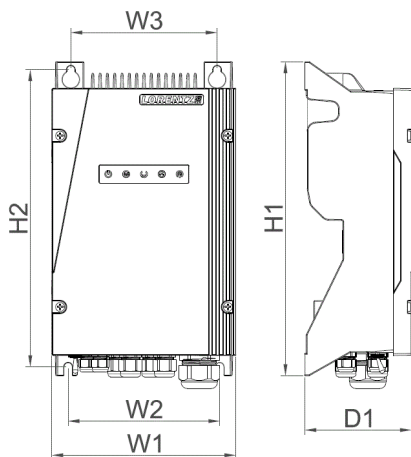
Vmp* > 238 V



Dimensions and Weights

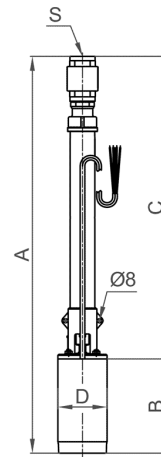
Controller

H1 = 14 in
 H2 = 13 in
 W1 = 8.1 in
 W2 = 6.7 in
 W3 = 6.5 in
 D1 = 4.9 in



Pump Unit

A = 40 in
 B = 8.7 in
 C = 32 in
 D = 3.5 in
 E = 3.3 in
 S = 1 in



	Net weight
Controller	13 lbs
Pump Unit	31 lbs
Motor	15 lbs
Pump End	15 lbs

*Vmp: MPP-voltage under Standard Test Conditions (STC): 1000 W/m² solar irradiance, 25 °C cell temperature

